

MENNO® Disinfectant Applicator

For easy handling and exact dosing of MENNO® products:

Disinfectants, cleaning agents, animal washing detergents for use in animal care, food industry and horticulture

The MENNO® disinfectant applicator connects simply and directly to a water hose using a quick release coupling. The applicator adds the MENNO® product in exactly the right concentration as the water from the hose flows through it. The solution is applied as a very visible foam which allows simple checking of coverage. This method also facilitates longer exposure to the product even on smooth and vertical surfaces. The foam method avoids the

production of aerosol particles and spray which makes for safer working conditions.



One 3 l container full of product concentrate is sufficient for 300 l ready mixed solution, enough for a surface of:

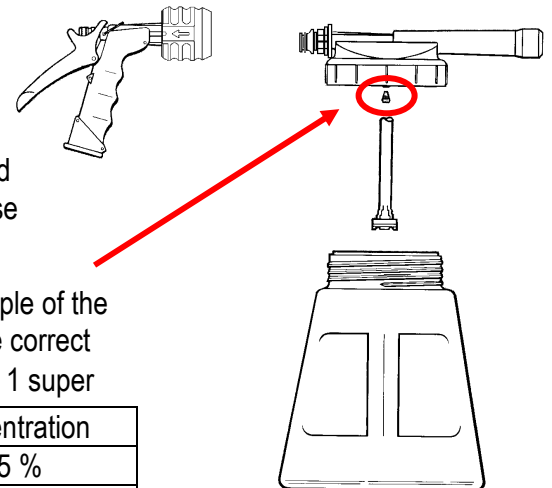
Recommended by DVG (German Veterinarian Association):

0,4 l/m² (ready mixed solution, i. e. wet surface)

1 % dilution for approx. 750 m²

2 % dilution for approx. 375 m²

3 % dilution for approx. 250 m²



The coloured dosing jets inserted into the suction tube allow precise control of concentration levels.

The chart below shows an example of the coloured dosing jets used for the correct concentrations of VENNO® VET 1 super

Dosage control jet	Concentration
Lilac	0,5 %
Aqua	1,0 %
Dark brown	2,0 %
Orange	3,0 %
Blue	4,0 %
Red	6,0 %

(Color variation is possible, due to printer parameter)

The water pressure has to be in the range 1.5 to 6 bar for an optimal use



MENNO CHEMIE-VERTRIEB GMBH

Langer Kamp 104 · D-22850 Norderstedt · P.O. Box 3310 · 22826 Norderstedt · Germany
 Tel: +4940-529 06 67-0 · Fax: +4940-529 06 67 66 · E-mail: info@menno.de · Home: www.menno.de