

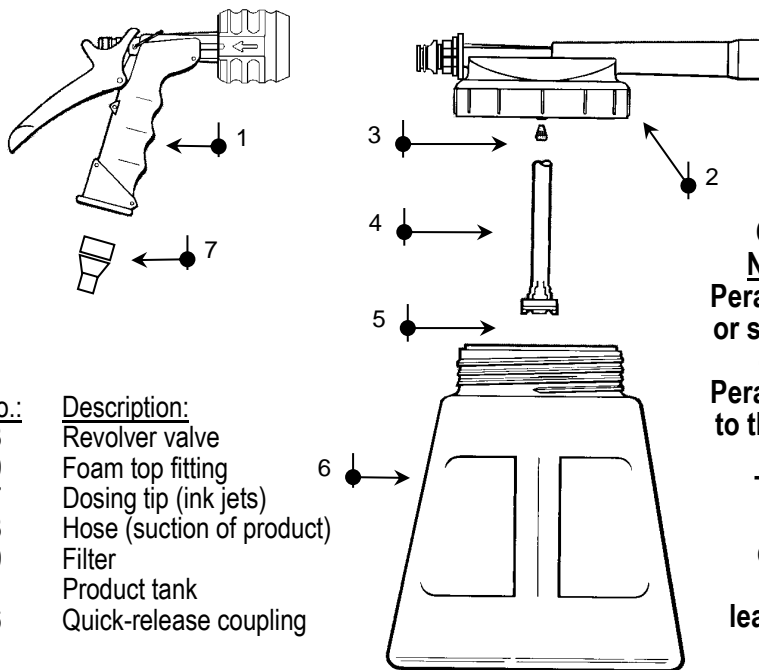
Self-dosing with foam as spray control

For easy handling and exact self-dosing of MENNO® products, like detergents, disinfectants for application in animal keeping, farm hygiene, agriculture and food processing industry

One tank filling with 3 l of product concentrate is sufficient for a surface of:

Recommended: **0,4 l/m²** (wet surface)

0,5 %	approx. 1.500 m ²
1 %	approx. 750 m ²
2 %	approx. 375 m ²
3 %	approx. 250 m ²
4 %	approx. 188 m ²
5 %	approx. 150 m ²



Directions for use
Please keep this document in a safe place. Please follow these instructions carefully to avoid damage to the applicator and any risk to humans, animals and/or the environment.

Spare part list:

No.:	Art.-No.:	Description:
1	72328	Revolver valve
2	72329	Foam top fitting
3	75347	Dosing tip (ink jets)
4	75408	Hose (suction of product)
5	75409	Filter
6	72331	Product tank
7	72926	Quick-release coupling

Please read the following before using the foam generator:

- The foam generator warranty is valid only for use of MENNO Products. Other chemicals may have adverse effects on the materials. In such a case the warranty would be invalid.
- **CAUTION! NEVER add Peracetic Acid or substances containing Peracetic Acid to the product container! This would be highly dangerous - possibly even leading to an explosion!**
- Legal national registration requirements and legislation has to be considered before use.
- Do not use generator if any part appears damaged.
- The foam head generator must be securely fastened to the product container to prevent leakage of the product.
- Be careful when changing the dosage tip (coloured jets) in the mixing head, do not remove hose / dosing tip by force or with pliers, otherwise there is a risk of damage to the mixing head (see operating instructions Point 5).
- Do not use any open flame to warm up the suction tube! This could lead to fire through flammable product rests.
- Do not use outside under strong windy conditions, consider possible spray drift-off.
- Inhalation, eye and skin contact must be avoided by wearing appropriate protective clothing and eye/face protection.
- Do not smoke, eat or drink whilst using the applicator or the chemicals themselves.
- The water pressure must be in the range 1.7 and 6 bar for optimal use of the generator.
- Water pressure higher than 6 bar should not be used as it may result in serious damage to the applicator.
- The maximum permitted temperature for products put into the applicator is 40 °C [degrees centigrade].
- Keep the applicator upright to avoid leakage.
- Keep the applicator safely out of the reach of children.
- No product rest should be left in the applicator and it should always be cleaned thoroughly.
- The applicator should not be subjected to heat or direct sunlight.
- Please avoid dropping the generator.
- All directions for use, operating instructions and manufacturer's guidance should be strictly adhered to.
- Surfaces treated can be slippery. Wear non-slip shoes.

Operating instructions:

1. Screw the foam top fitting off of the tank.
2. Select the dosing tip for the desired dilution of the respective product from the attached table.
3. Place the dosing tip in the tube guide in the cover bottom of the mixing head.
4. Install the suction tube over the tube guide with the dosing tip.
5. For changing the dosing tip (coloured jets) remove the hose by hand, do not use pliers or any other tools. Before pulling off, warm up tube with warm water (max. 60 °C), for easier removal!
6. Fill the product container with Product-concentrate. Maximum 3 litres capacity - do not overfill.
7. Screw the foam top fitting firmly onto the container.
8. Screw the quick coupling in the handle of the revolver valve.
9. Enclose the foam mixing head to the quick release of the revolving valve.
10. Connect the quick-release coupling to the water supply.
11. At work (when applying), keep the handle in one hand and the handle of the storage tank in the other hand.
12. For application, press the lever throttle at the revolver valve.
13. To stop the application let go of the lever throttle.
14. Clean the unit after use. Remove product concentrate from the tank. Clean all equipment parts thoroughly with water.

Avisable application: Veterinary Hygiene/Intensive animal keeping, food processing, agriculture and horticulture: Application of floor, walls, ceilings, machines, equipment, utensils, rooms, places, trucks, vans, loading spaces, tires, wheels, rubber boots, boxes, trays, crates, containers, tables, benches, gutters etc.

Care and repair of the applicator in the case of malfunction

During disinfection, the control and consumption of product concentrate can be checked through the transparent container walls.

Problem	Likely cause	Remedy
1. No or insufficient consumption of product	a. Obstruction of the suction tube filter. b. Obstruction of the dosage control jet. c. Water pressure too low. d. Lime in the foam head generator. e. Obstruction of the water filter.	a. Clean or replace b. Clean or replace. Avoid the use of sharp implements as this could affect the shape of the outlet. c. Minimum 1.7 bar necessary. d. Dry-clean the foam head generator with vinegar. e. Clean or replace.
2. Weak foam application	a. Water filter clogged up. b. Water pressure too low.	a. Clean or replace. b. Minimum 1.7 bar necessary.

Table for choice of dosage control jet – coloured coded concentration

Disinfectant for Veterinary hygiene/animal keeping:
against virus, bacteria and yeast

VENNO® VET 1 super/VENNO® VET 1

Dosage control jet	Concentration
Pink	0,25%
Purple	0,5%
Aqua	0,75 %
Yellow	1%
Brown (dark)	1,5 %
Orange	1,75%
Green	2%

MENNO® VETERINÄR B neu

Dosage control jet	Concentration
Pink	0,25 %
Purple	0,5 %
Yellow	1 %
Green	2 %

Disinfectant against excreted endoparasites
roundworm eggs, cryptosporidia, coccidia oocysts,
bacteria and enveloped viruses

NEOPREDISAN® 135-1

Dosage control jet	Concentration
Pink	0,25%
Purple	0,5%
Aqua	0,75%
Yellow	1%
Green	2%
Tan (med. Brown)	3%
Blue	4%
White	5%

NEOPREDINOL®

Dosage control jet	Concentration
Yellow	1 %
Green	2 %

VENNO® OXYGEN

fill 2,4 litres of warm (max. 40°C) water into product container, then add: + 300 g Comp. 1 + 300 g Comp. 2 remove filter from suction tube and only prepare volume for instant use!

Dosage control jet	Concentration
None	2 %

Disinfectant for food processing: against virus, bacteria and yeast
A-QUASAN®

Dosage control jet	Concentration
Yellow	1%
Brown (dark)	1,5%
Green	2 %
Tan (med. Brown)	4 %
Blue	5 %

Cleanser for surfaces:

MENNO® CLEAN

Dosage control jet	Concentration
Purple	0,5%
Yellow	1%
Green	2%

VENNO HORTISEPT® CLEAN Plus

Dosage control jet	Concentration
Purple	0,5%
Yellow	1%
Green	2%

FADEX® H +

Dosage control jet	Concentration
Purple	0,5%
Yellow	1%
Green	2%

Biocide against algae

MENNO® TER forte

Dosage control jet	Concentration
Purple	0,5%
Yellow	1%

Disinfectant for Horticulture/Agriculture:

Disinfectant against virus, viroids, fungi and bacteria

MENNO Florades®

Dosage control jet	Concentration
Yellow	1%
Green	2%
Tan (med. Brown)	4%

Note: The applied colour codes are valid for a viscosity of product concentrate at reference temperature of 20°C and a water-pressure of 3,5 - 4 bar. To find specific local conditions for adjustment of concentration at place of use, it is recommended to measure (using a flow-meter) the volume-flow of water and put it into ratio with use of concentrate in given time.

Use product safely. Always read the label and product information before use. Legal national registration requirements and legislation has to be considered before use. SAFETY PRECAUTIONS: Operator Protection, Engineering control of operator exposure must be used where reasonably practicable in addition to the following personal protective equipment: WEAR SUITABLE PROTECTIVE CLOTHING (COVERALLS), SUITABLE PROTECTIVE GLOVES AND FACE PROTECTION (FACESHIELD) when handling the concentrate. However engineering controls may replace personal protective equipment if a COSHH assessment shows they provide an equal or higher standard of protection. AVOID ALL CONTACT BY MOUTH AND WITH EYES. IF SWALLOWED, seek medical advice immediately and show this container or label. Environmental Protection Do not contaminate water with the product or its container (Do not clean application equipment near surface water/Avoid contamination via drains from farmyards and roads).