

# NEOPREDINOL®

## Patented animal washing agent for piglet production, pig and sow husbandry

**Antibiotic monitoring and animal welfare pose complex challenges for farmers.**

**NEOPREDINOL® is the patented animal washing agent for hygienic animal washing and reducing the need for antibiotics.**

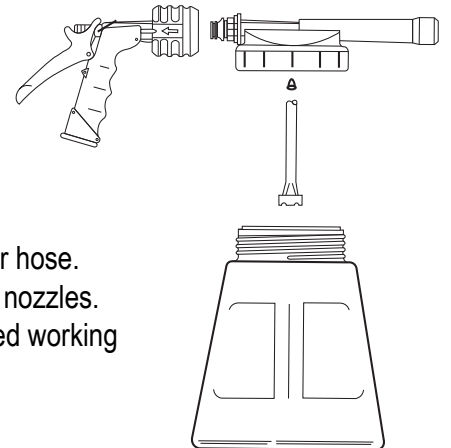
- Highly foaming, mildly acidic, liquid, water-soluble detergent concentrate for professional use in agriculture
- Patented animal detergent for hygienic animal washing of piglets, pigs and sows
- To reduce the need for antibiotics in intensive livestock farming
- Well tolerated by the skin, mildly acidic pH value, supports the skin's natural protective acid mantle
- Creamy, homogeneous foam consistency optimizes adhesion to the skin, thus increasing soaking time and washing efficiency

### How it works

- Removes organic and inorganic soiling, wash off stubborn incrustations with a water jet and brush if necessary.
- Removes faeces, urine and foreign odors, reduces the potential for aggression and injuries caused by rank fights
- Removes staphylococci and streptococci by washing them off the animal's skin

### Application

- Place piglets as close together as possible on the loading area of the livestock truck or in the aisle before stabling and lather with 2 % solution
- Application rate of the 2 % solution 2 L per boar/sow, ¼ L per piglet
- Application: Preferably with MENNO® dosing foam sprayer or by high-pressure cleaner with foam lance (only suitable to a limited extent), foam up, allow to soak briefly
- Then ensure sufficient drying of the animals in the short term
- Costs approx. 0.05 €/per piglet



### MENNO® dosing foam sprayer

- Portable proportioning device for foam application, for connection to the water hose.
- NEOPREDINOL® is dosed automatically and correctly using interchangeable nozzles.
- One filling with 3 liters of NEOPREDINOL® is sufficient for 150 l of ready-mixed working solution (2 % application), sufficient for approx. 75 sows/boar or 600 piglets.

### The advantages at a glance

- Reduces the need for antibiotics in pig production
- Removes soiling and undesirable odors
- Reduces the potential for aggression, resulting in fewer rank fights, injuries and tail biting
- Good skin compatibility, mildly acidic pH value

**MENNO CHEMIE-VERTRIEB GMBH**

Langer Kamp 104 • D-22850 Norderstedt • Germany • T: +4940 52906670

F: +4940 529066766 • info@menno.de • www.menno.de